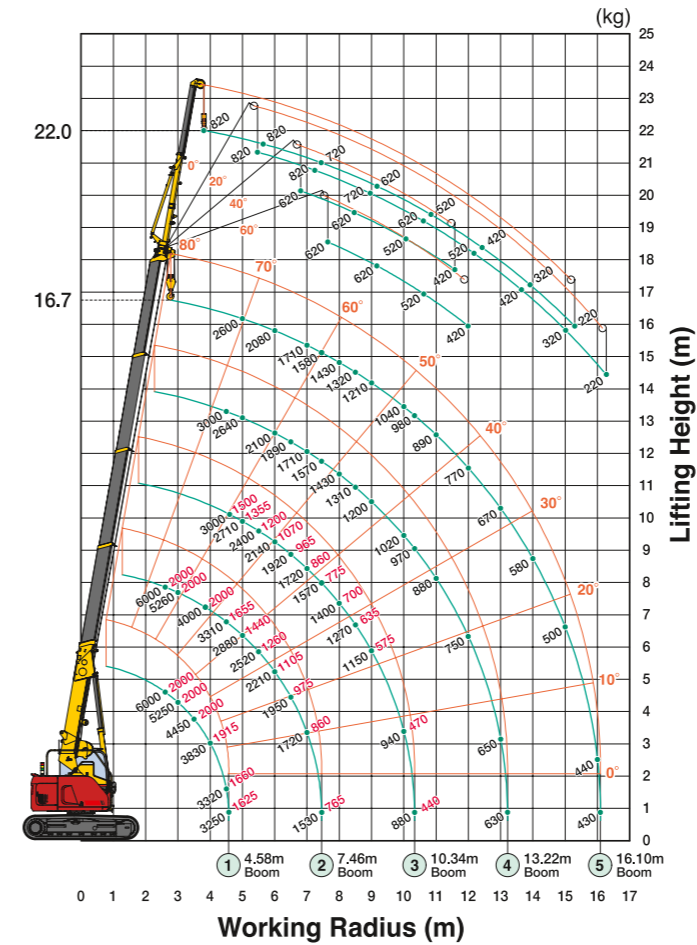


# CC1485S-1 (6.0t x 2.6m)



## Working Range



Working radius (m)	4.745m Boom		7.625m Boom		10.505m Boom		13.385m Boom		16.265m Boom	
	Stationary	Pick & Carry	Stationary	Pick & Carry	Stationary	Pick & Carry	Stationary	Pick & Carry	Stationary	Pick & Carry
2.00	6000	2000	6000	2000	3000	1500				
2.50	6000	2000	6000	2000	3000	1500	3000			
2.60	6000	2000	6000	2000	3000	1500	3000			
3.00	5250	2000	5260	2000	3000	1500	3000			
3.20	4910	2000	4920	2000	3000	1500	3000			2600
3.50	4450	2000	4460	2000	3000	1500	3000			2600
3.85	4000	2000	4000	2000	3000	1500	3000			2600
4.00	3830	1915	3820	1910	3000	1500	3000			2600
4.50	3320	1660	3310	1655	3000	1500	3000			2600
5.00			2880	1440	2710	1355	2640			2600
6.00			2210	1105	2140	1070	2100			2080
7.00			1720	860	1720	860	1710	Unusable		1710
7.50					1550	775	1560	Unusable		1560
8.00					1400	700	1430	Unusable		1430
9.00					1150	575	1200	Unusable		1210
10.00					940	470	1020	Unusable		1040
11.00							880	Unusable		890
12.00							750	Unusable		770
13.00							650	Unusable		670
14.00								Unusable		580
15.00								Unusable		500
16.00								Unusable		440
16.10								Unusable		430

## Crane Specifications

Crane Capacity	6.0t x 2.6m
Max. Working Radius	16.1m
Max. Lifting Height	16.7m (22.0m with fly jib)
Max. Reach Below Ground	-24.5m (4 falls)
Pick & Carry capacity	2,000kg
Travel Speed	0-3.2km/h
Travel Ground Pressure	49.0kpa [0.50kgf/cm <sup>2</sup> ]
Travel Ground Pressure (with fly jib)	50.0kpa [0.51kgf/cm <sup>2</sup> ]
Engine	ISUZU 4LE2XDPC / Diesel
Engine Rated Output	40.3kW / 2,000rpm
Dimensions	6,560mm (L) x 2,490mm (W) x 2,865mm (H)
Tail swing	1,550mm
Machine Weight	14,400kg (14,700kg with fly jib) (Rubber Pads : +470kg)

Crane Capacity **6.0t x 2.6m**    Max Lifting Height **16.7m**    Pick & Carry Duty **2,000kg**

Max Lifting Height : 22.0m With Optional Fly Jib

Programmable Moment Limiter

New 7 inch Multi Monitor

Minimal Tail Swing

Rear View Monitor

Camera

4 Fall / 2 Fall Hook Block

EU Stage III B Compliant Engine

## Dimensions

